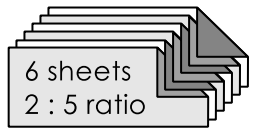




Star Luisium

designed by **Angelika Spindler** www.flotterfalter.de
diagrammed by **Sara Adams** www.happyfolding.com



How to cut 2 : 5 ratio sheets from a square

1. Use **thin paper** for best results. Pinch to mark the center.
2. Fold softly only.
3. Pinch to mark $1/5$. Then unfold.
4. Extend the pinch to crease at $1/5$.
5. Use this as a template for further sheets.
6. This avoids unnecessary creases.
7. Fold the raw edge to the crease line.
8. Fold the bottom $1/5$ in half. Then cut along the crease lines.
9. One square delivers 2 sheets for a larger star and 2 for a smaller one.
10. Prepare **6 sheets** of the same size.

How to fold the 1st module



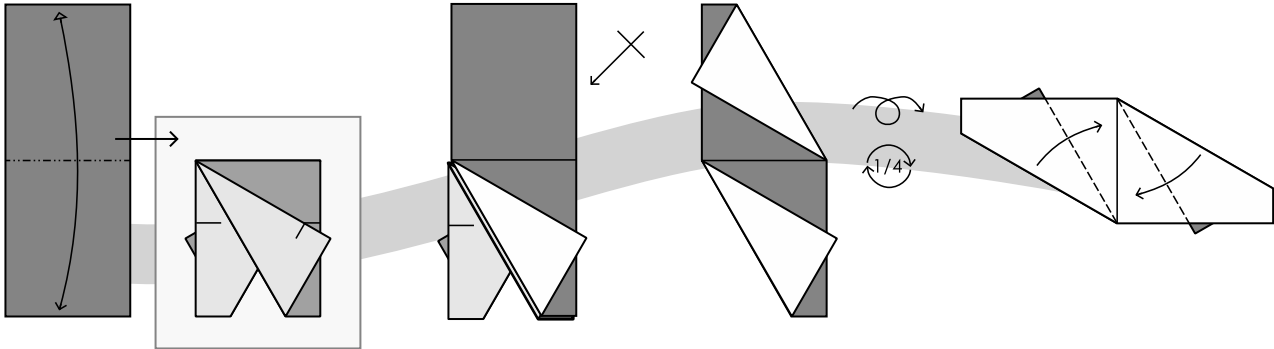
Start with the **white side up** for a star with white strips.

Tip: Use this as a template for the other modules. Details on page 2.

1. Fold in half.
2. Add a pinch on the left to mark a square.
3. Align the pinch with the folded edge, pinching on the right.
4. Align the pinch marks to crease at a 60° angle.
5. Repeat steps 2. - 4. behind.
6. Unfold.
7. Fold the flaps to the central crease line.
8. Unfold one layer.
9. Crease at a 90° angle.
10. Fold into half (a), then quarters (b,c).
11. Fold over multiple times.
12. Repeat steps 8. - 11. on the left.
13. Mountain fold the module in half.
14. The completed module.

How to fold the **other modules**

You can save some work and get more symmetrical looking stars by using **step 6** of the 1st module as a template.



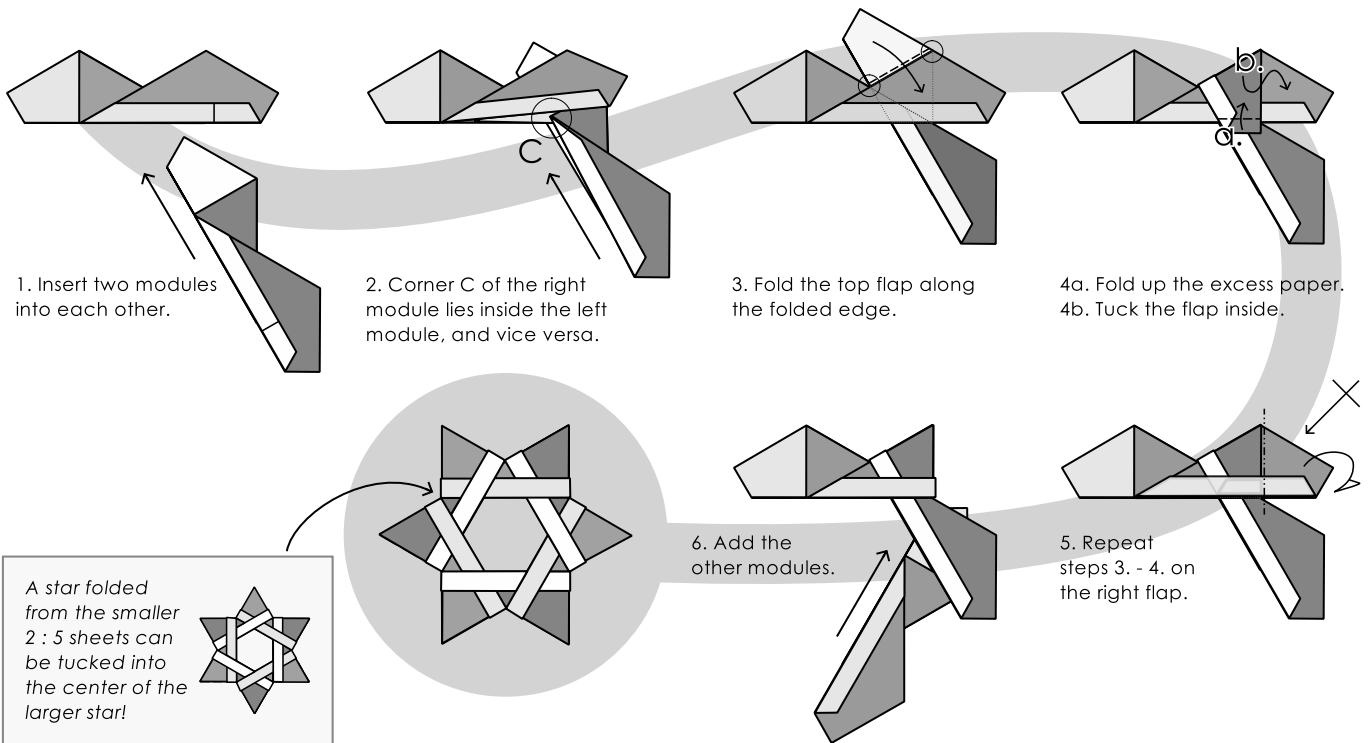
Fold a 2nd sheet in half and unfold. Align it with **step 6** of the 1st module.

Make a crease, matching the angle of the 1st module.

This replaces steps 2.-6. of folding the 1st module.

Flip over and rotate. Continue with **step 7** of folding the 1st module. Fold **6 modules** in total.

How to **assemble** the star



1. Insert two modules into each other.

2. Corner C of the right module lies inside the left module, and vice versa.

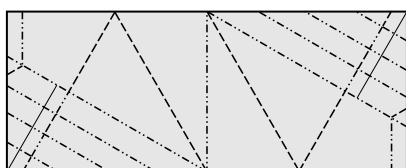
3. Fold the top flap along the folded edge.

4a. Fold up the excess paper.
4b. Tuck the flap inside.

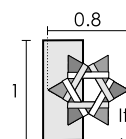
5. Repeat steps 3. - 4. on the right flap.

6. Add the other modules.

A star folded from the smaller 2 : 5 sheets can be tucked into the center of the larger star!



If you want a star with narrower strips, fold 6ths instead of 4ths in **step 10** of folding the 1st module.



If you start with 15 cm squares, the star from the 6 cm by 15 cm sheets has a diameter of 12 cm. The star from the 3 cm by 7.5 cm sheets has a diameter of 6 cm.

